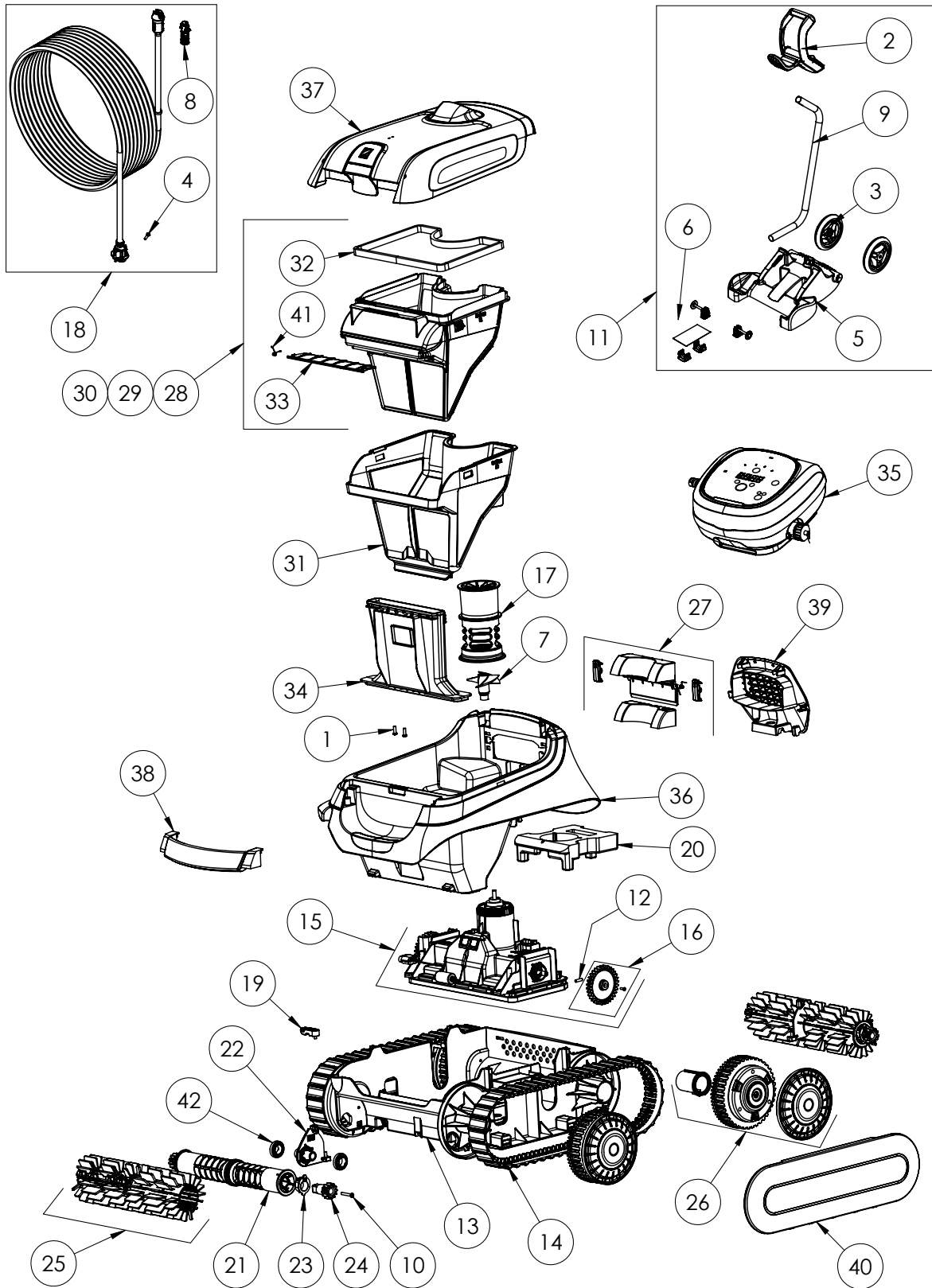




40 XA iQ

Spare Parts



POSITION	DESCRIPTION	REFERENCE	
1	Screw 4*12 mm (Set Of 5)	R0516700	
2	Trolley Handle	R0565000	
3	Trolley Wheels (*2)	R0565100	
4	Screw 4*16mm (Set Of 5)	R0608500	
5	Complete Lower Part Trolley Cyclonx	R0632800	
6	Trolley Cyclonx Accessories	R0632900	
7	Impeller	R0633200	
8	Connector 3Pts Body	R0634100	
9	Trolley Tube Cyclonx	R0634400	
10	Screw 4*25 mm (Set Of 5)	R0638900	
11	Trolley Kit C	R0639500	
12	Motor Block Shaft Pin Ø4 (Set Of 5)	R0657900	
13	Lower Housing Chassis CN	R0895100	
14	Track CN (*2)	R0895200	
15	Motor Block Kit CN, Led	R0895500	
16	Drive Gear Kit (*2)	R0895600	
17	Flow Outlet CN	R0895700	
18	Floating Cable CN, 18M	R0895900	
19	Cable Strain Relief CN	R0896200	
20	Chassis Float CN	R0896300	
21	Brush Roller CN (*2)	R0896400	
22	Roller Support CN	R0896500	
23	Outer Bearing CN, (*2)	R0896600	
24	12 Point Gear, CN (*2)	R0896700	
25	Brush Scrubber CN Grey (*2)	R0896900	
26	Wheel CN, Black	R0897300	
27	Rear Flap Door Kit CN	R0897400	
28	Filter CN 100µ - Single	R0897500	
29	Filter CN 150µ - Dual	R0897600	
30	Filter CN 200µ - Single	R0897700	
31	Over Filter CN 60µ - Dual	R0898100	
32	Canister Seal CN	R0898300	
33	Canister Inlet Flap CN	R0898400	
34	Inlet Channel CN	R0898500	
35	Control Box CN Type 4 Eu	R0898900	
36	Body Housing CN A, Light Grey	R0900400	
37	Complete Cover CN A, Clear	R0901100	
38	Handle CN A, White	R0901600	
39	Rear Grid CN A, Black	R0902100	
40	Long Flange CN Black (*2)	R0902200	
41	Canister Inlet Flap Spring CN	R0905500	
42	Ball Bearing	W79034	
/	Carton 40 XA iQ	R0907500	