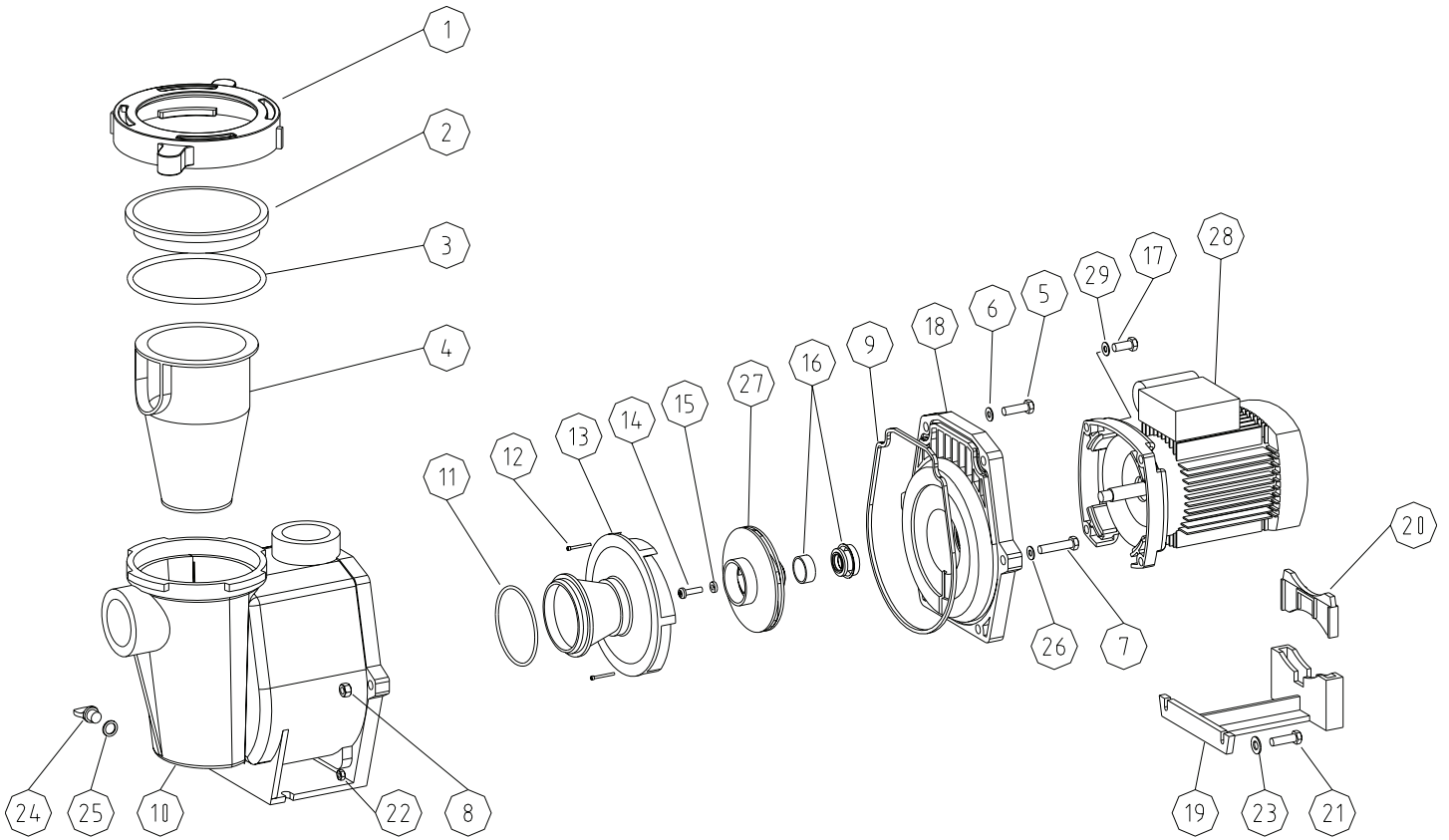
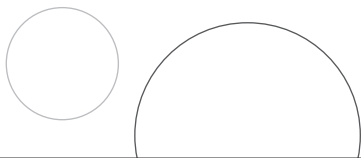


WhisperFlo®

Replacement Parts





WhisperFlo®

Replacement Parts

item n° on drawing	reference	description	qty./ pump
1	P-35-7150	clamp band assy	1
2	P-35-7156	cover Lexan	1
3	P-35-0013	o-ring for cover	1
4	P-07-0387	basket	1
5	P-07-0430	bolt 3/8" 16-UNC x 1 1/4" HH-SS	4
6	A-M10-100001	washer	4
7	P-07-0431	bolt 3/8"-16UNC x 1 3/4" HH/SS	2
8	P-07-1403	nut bolt 3/8"-16UNC HH/SS	2
9	P-35-7102	gasket seal plate	1
10	P-35-7195	black volute	1
11	P-07-1444	o-ring	1
12	P-07-1660	set screw # 4-40x1-1/8	2
13	P-07-2927	diffuser assy 0,55->2.2 kW	1
14	P-07-1652	Impeller screw 1/4 - 20 UNC x 1" (left thread)	1
15	P-07-5713	rubber washer for impeller screw	1
16	P-07-1734	mechanical seal	1
17	P-35-4290	bolt 3/8" - 16 UNC x 1" HH/SS	4
18	P-35-7158	seal plate	1
19	P-35-7159	Pump base for 0,55 -> 1,5 kW	1
	P-35-7159M	Pump base for 2,2 kW	1
20	P-35-7160M	Base adapter Insert 0,55 + 0,75 kW	1
21	P-07-1657	Bolt 1/4"-20UNC x 1" HH-SS	2
22	P-07-1406	nut 1/4" 20 UNC HH/SS	2
23	A-M6-060001	washer	2
24	P-35-7161	Drain plug	2
25	P-07-4629	Flat seal for drain plug	2
26	A-M10-100001	washer	2
27	P-07-3127	impeller for 0,55 kW	1
	P-07-3128	impeller for 0,75 kW	1
	P-07-3129	impeller for 1,1 kW	1
	P-07-3130	impeller for 1,5 kW	1
	P-07-3131	impeller for 2,2 kW	1
28	PMT-2-071	Motor 0,55 kW monophase	1
	PMT-2-073	Motor 0,55 kW triphase	1
	PMT-2-101	Motor 0,75 kW monophase	1
	PMT-2-103	Motor 0,75 kW triphase	1
	PMT-2-151	Motor 1,10 kW monophase	1
	PMT-2-153	Motor 1,10 kW triphase	1
	PMT-2-201	Motor 1,50 kW monophase	1
	PMT-2-203	Motor 1,50 kW triphase	1
	PMT-2-301	Motor 2,20 kW monophase	1
	PMT-2-303	Motor 2,20 kW triphase	1
29	A-M10-100001	washer	4