



**Simply the most efficient and quietest pump you can buy!
WhisperFlo, an incredibly quiet and reliable pool pump
that outperforms the competition in every measure.**



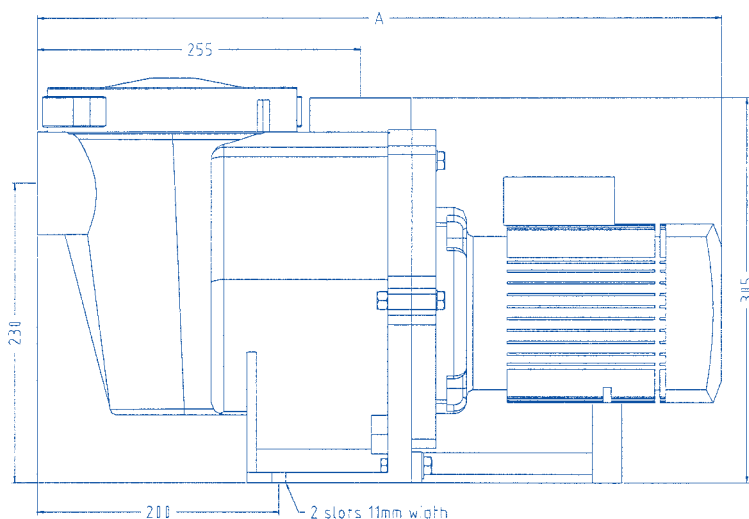
The correct pump should circulate all a pool's water at least 4 times a day, as efficiently as possible. Greater efficiency means lower running costs... and the key lies in the heart of the pump's design. The secret is to minimise friction and turbulence. Less friction means greater efficiency. Less turbulence means less noise.

That's why all Pentair pumps feature a proprietary hydraulic design which has been refined over 40 years for superior performance.

The WhisperFlo is engineered to move the water more efficiently and quietly than competitive pumps, thanks to the unique design of the Funnelflo™ diffuser and a high-efficiency impeller that maximises water flow and energy efficiency. The pre-filter comes with an oversized strainer basket and an easy-view strainer pot lid for instant inspection. WhisperFlo is engineered to provide optimum performance in a very wide range of installations, including pool/spa combinations. It also delivers the power needed for suction-side, pressure-side and in-floor cleaning systems.



TYPE	A
0,55 kW	540
0,75 kW	540
1,1 kW	550
1,5 kW	560
2,2 kW	590

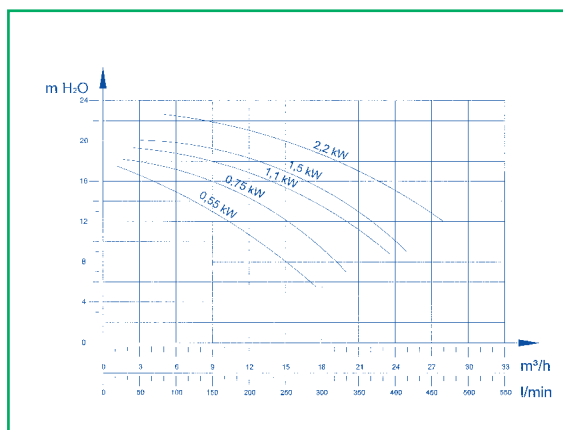


WHISPERFLO		Total head m H ₂ O						
		6	8	12	16	18	20	22
Type (single/three)	Power	Flow m ³ /h						
P-WFL-071/073	0,55 kW	17,0	15,0	10,3	4,2	0,2		
P-WFL-101/103	0,75 kW		19,2	15,2	8,8	2,5		
P-WFL-151/153	1,1 kW			20,0	13,7	8,8		
P-WFL-201/203	1,5 kW			22,2	16,7	12,7	4,4	
P-WFL-301/303	2,2 kW			28,0	22,5	19,2	14,7	8,4

at 2800 r.p.m.

Standard features include:

- Unique design of the Funnelflo™ diffuser and a high-efficiency impeller that maximises water flow and energy efficiency and ensures the quietest operation!
- The WhisperFlo® has undergone rigorous testing for quiet, efficient operation.
- Patented oversized strainer basket reduces cleaning frequency.
- Easy-view lid design for instant inspection will remain clear and strong for years. Plus the cam and ramp lid delivers even pressure to eliminate air and water leaks.
- Delivers higher performance with a lower power consumption.
- Made from high-temperature, engineered thermoplastic to withstand extreme heat and prevent corrosion. Designed for long life.
- Easy installation and trouble-free servicing.
- Available in single and three-phase versions.
- 3-year warranty.
- CE-approved.
- Option: also available in a seawater resistant version (Salt content up to 32 000 ppm or 3,2%).



DISTRIBUTION:

EN 09/05



Pentair Water Belgium nv
 Industriepark Wolfstee, Toekomstlaan 30, B-2200 Herentals (Belgium)
 TEL: +32 14 25 99 11 • FAX: +32 14 25 99 73

Pentair Water Germany
 Wiesenstraße 6, 64347 Griesheim (Germany)
 TEL: +49 6155 84170 • FAX: +49 6155 841799

e-mail: mail@pw-europe.com • website:www.pentairpooleurope.com